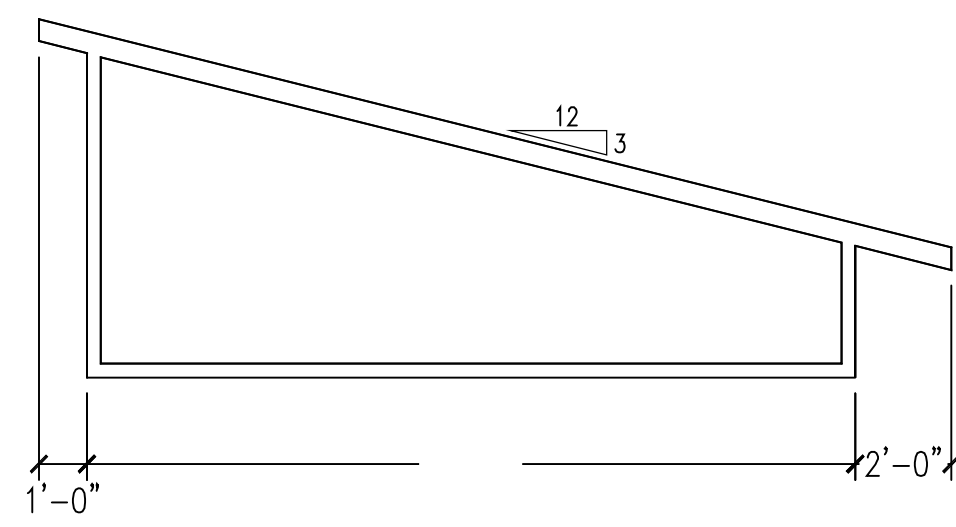
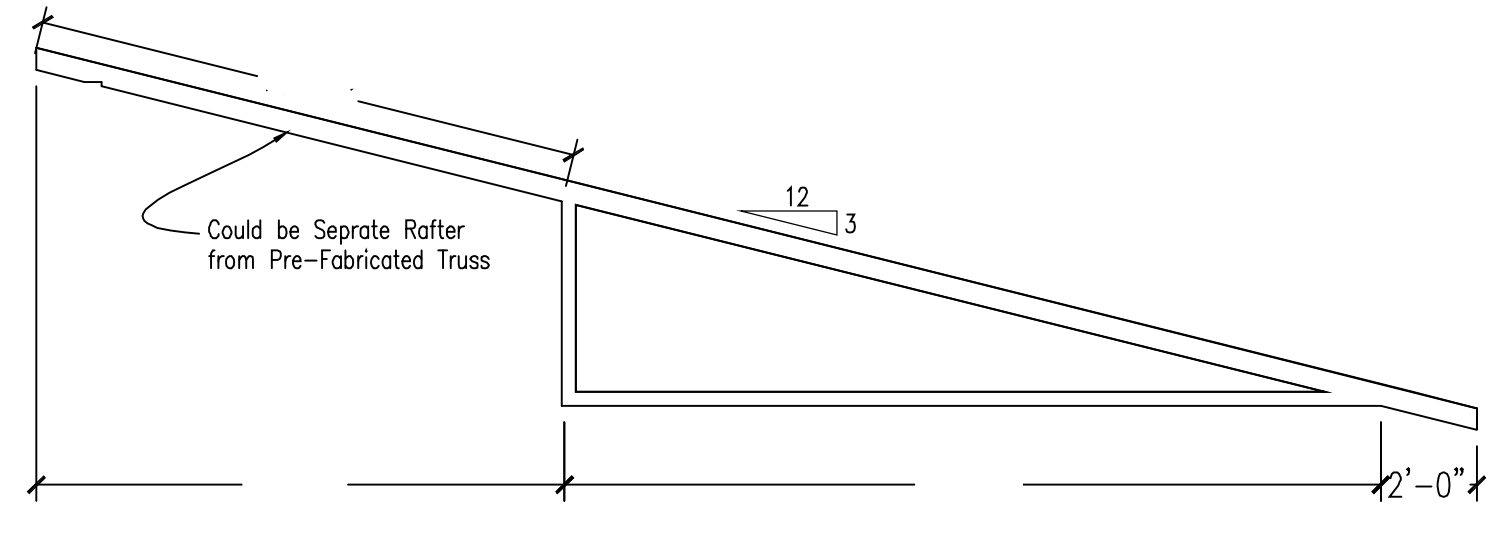


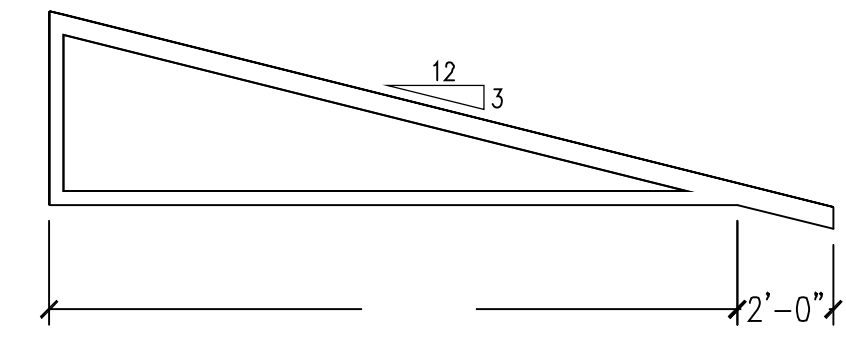
1 Pre-Fabricated Truss - Series "A"



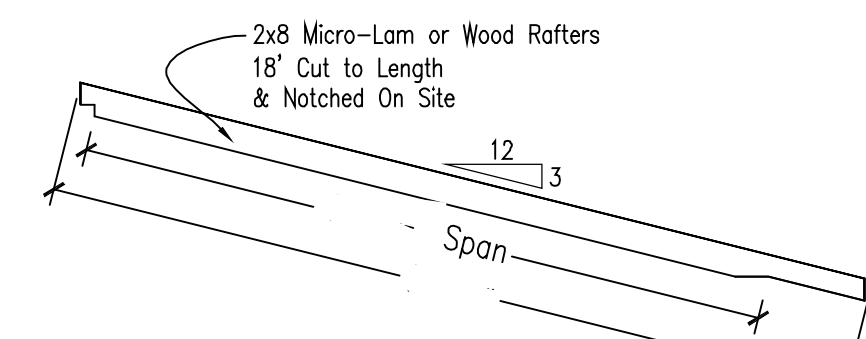
2 Pre-Fabricated Truss - Series "A-Modified"



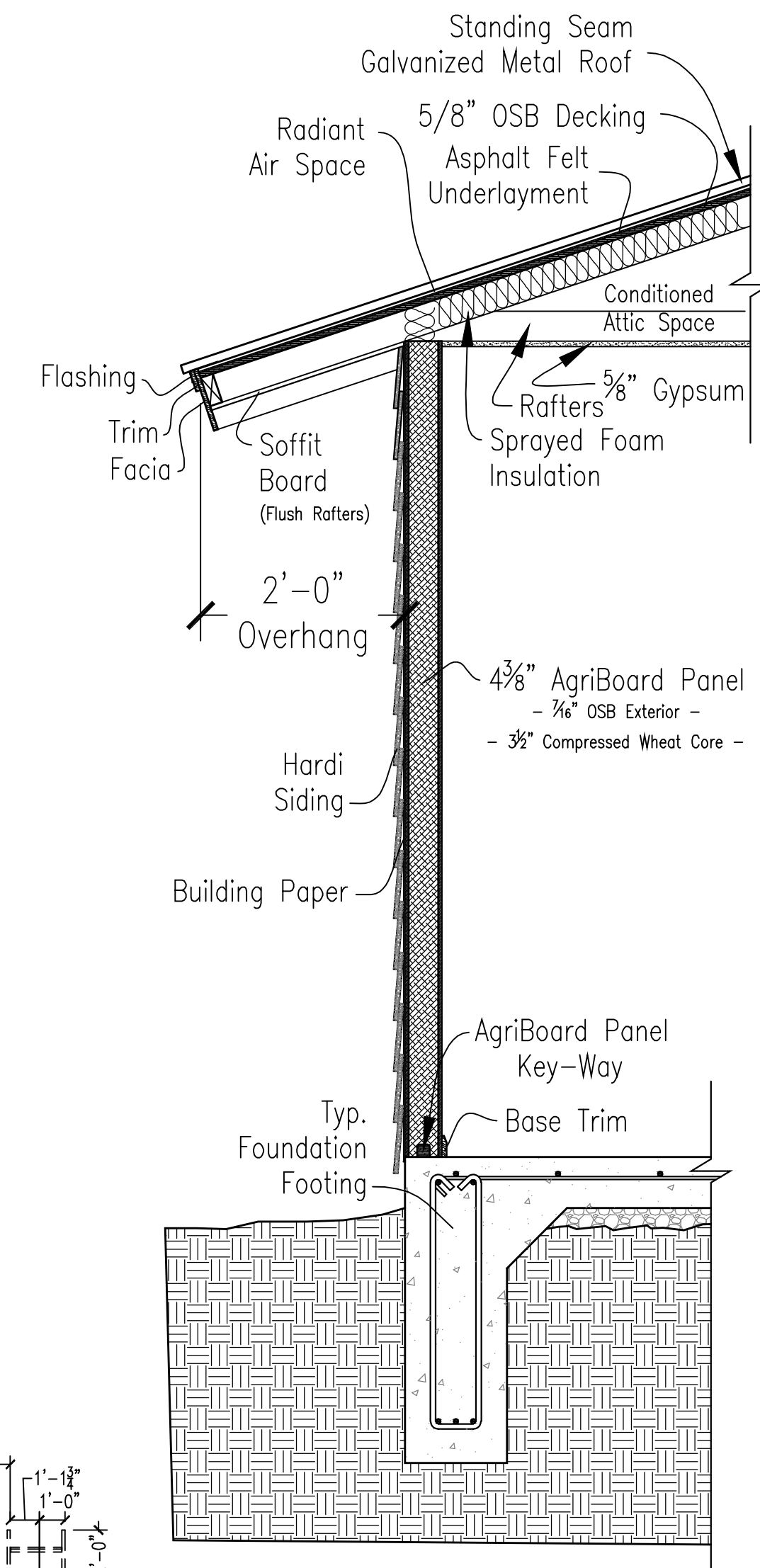
3 Pre-Fabricated Truss - Series "B"



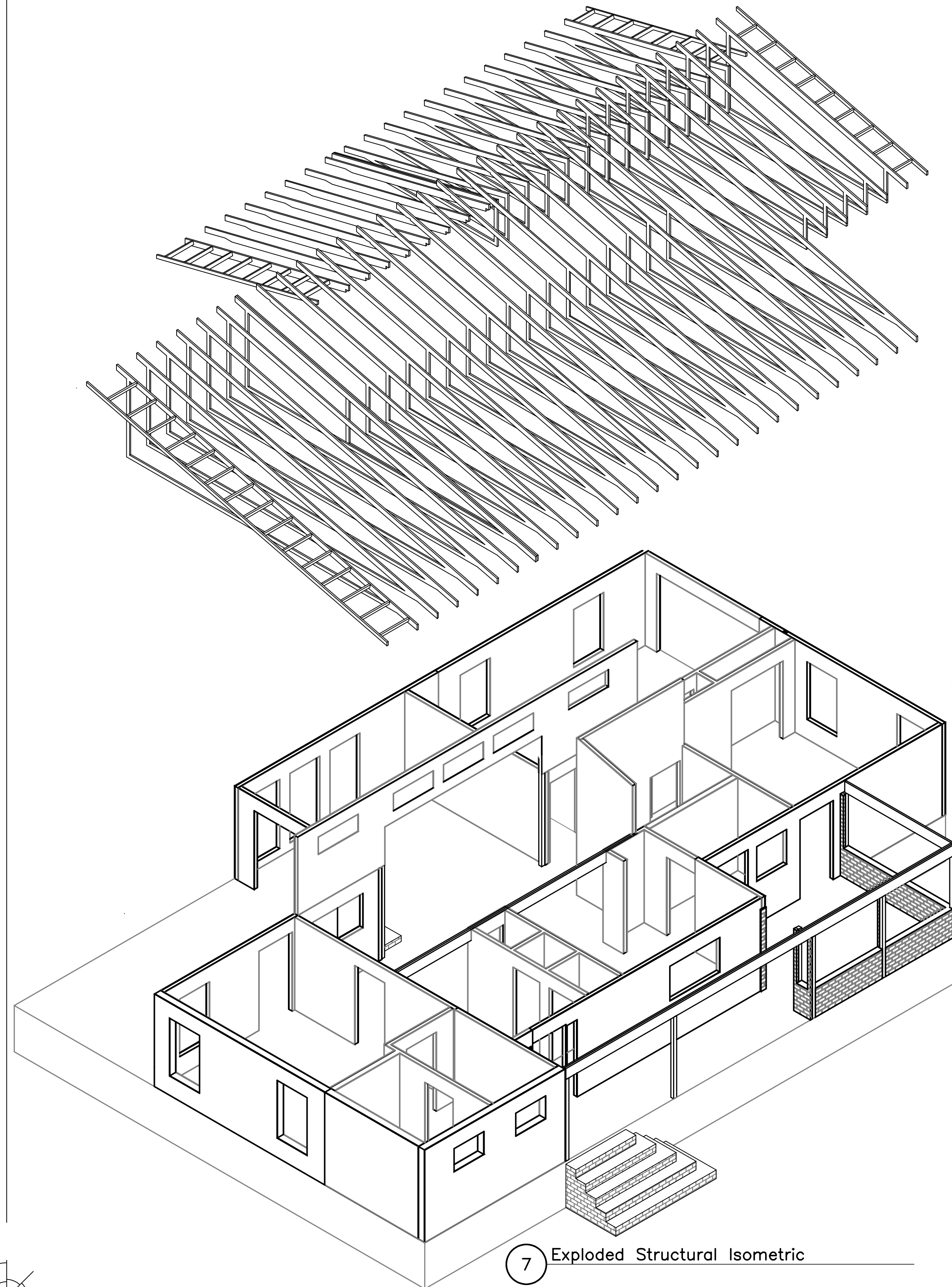
4 Pre-Fabricated Truss - Series "C"



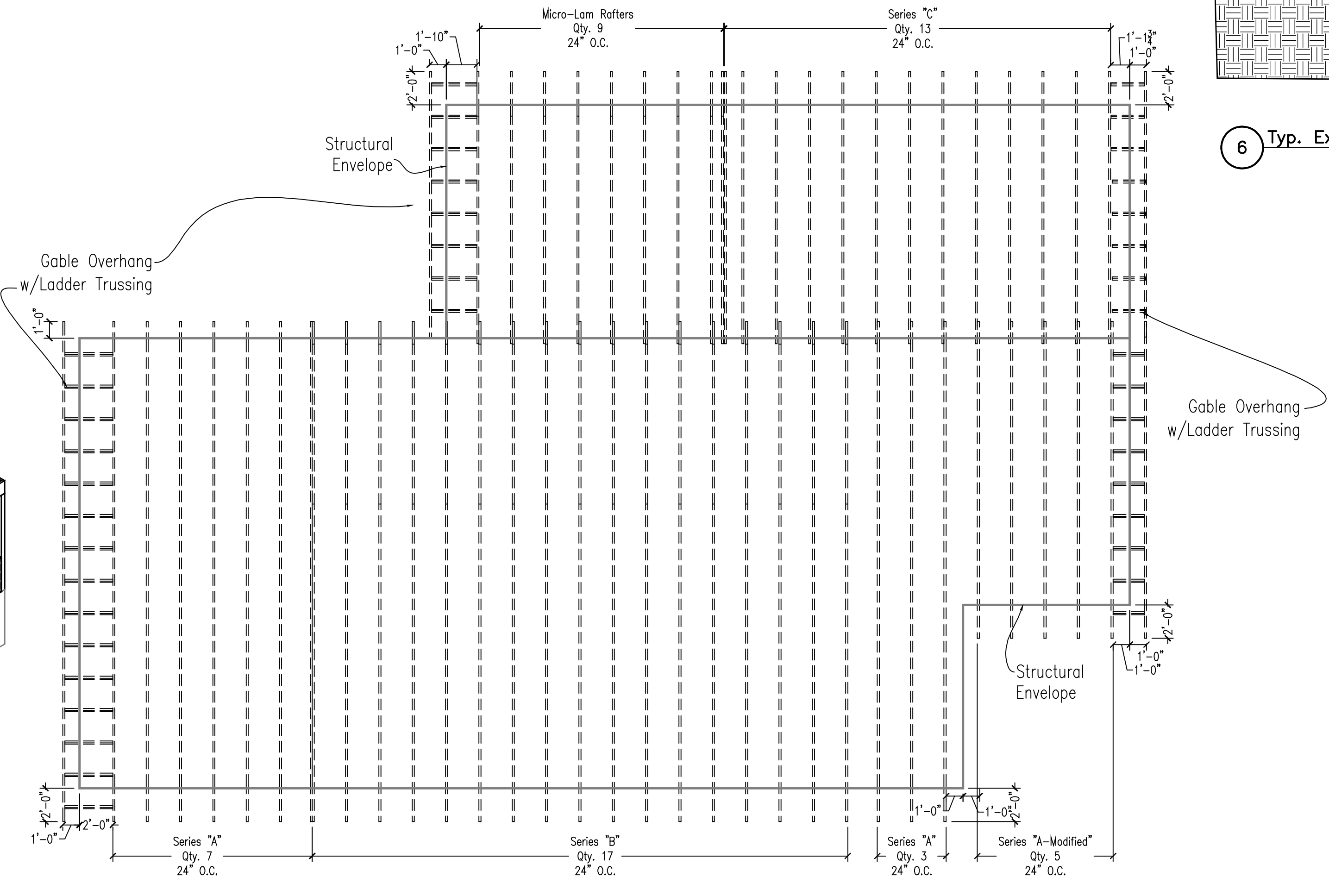
5 Micro-Lam Rafter Detail



6 Typ. Exterior Wall Section



7 Exploded Structural Isometric



8 Truss & Rafter Layout

DESIGNS BY THE  
**soluna**  
ENVIRONMENTAL  
DESIGN • ENGINEERING  
& FABRICATIONS  
AUSTIN, TEXAS

GENERAL CONTRACTOR  
**Solluna BUILDERS**  
"Building a cleaner tomorrow, today!"

DESIGN FOR

DESIGN NO:  
OUTPUT DEVICE:  
CAD DWG FILE:  
REVISION DATE:

SHEET TITLE:  
**ROOF & STRUCTURAL DETAILS**

- A05 -